

HEXA

Wireless Smoke Detector



FEATURES

Working Voltage: 9V alkaline battery or carbon sexual battery

Working Current: Quiescent current is less than 10uA; working current is less than 40mA

Sensitivity of Smoke: Second degree

Transmitting Frequency: 315MHZ/433MHZ

Transmitting Distance: Open distance \geq 120m

Working Temperature: $-10^{\circ}\text{C} \sim +50^{\circ}\text{C}$

Interface Temperature of Air: 10%-90%

Alarming Sound: more than 75dB

Outer Size: 107*44mm

Life of Battery: more than 1 year

Execute Criterion: EN14604-2005

SETTING UP FUNCTIONS

Selecting of Oscillation Electric Resistance:

J1 bouncing pins can be set oscillation resistance as 1.5 M / 3.3 M / 4.7 M, which can choose corresponding bouncing pins for oscillation resistance.

Coding choice:

set detector and the host of the address coding and protection zones between coding, A0-A7 for address, the coding and the corresponding to the mainframe; D0-D3 for data coding, used to set alarm defense zone

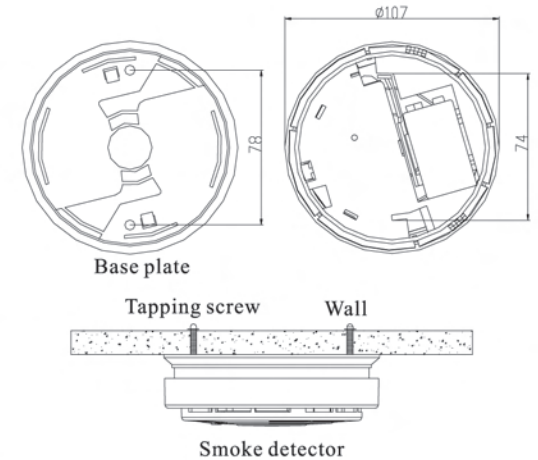
INSTALLATION

Choose a suitable installation area, in accordance with the mounting legs onto the hole in the wall or a stroke two holes, in two holes, a drill two holes, in two holes into two stars in plastic screw up. Then will be installed on the back of the board clingy wall, into and tighten mounting screws removed until the mounting bracket so far the firm. The probe is a closed type device doesn't allow opening, please putting the battery into the battery holder of the machine in. On the back of the probe by the installation position to mouth, clockwise and make sure installation card has screwed to the bottom. Gently press test button is normal work the detector.

TESTING AND MAINTENANCE

The probe after the installation is already in the work of the state, its top light emitting diode about every 45 seconds a twinkle. When combustion particles are to detect arrived, the detector will have a sound loud alarm sound until the pulsation of the fresh air so far. Press and hold the test button, a loud ringing the pulsation of the alarm signals will be issued a. This means that the probe

real work, in the alarm at the same time, rapid flashes leds, and to launch the wireless signals. Also can use to blow into the cavity smoke detection method to test the probe (per week to make a test to ensure that the probe reliable work).



NOTICE

1. The detector cannot be installed under worse environment. E.g. coldest, hottest, dusty.
2. Please test it monthly.
3. Please clean the detector by soft brush per six months to ensure the sensitivity and life of product. Pay attention to switching off power before clean it.
4. For various reasons, including, but not limited to changes in environmental conditions, electric disruptions and tampering, the product may not perform as expected. The user is advised to take all necessary precautions for his/her safety and the protection of his/her property.